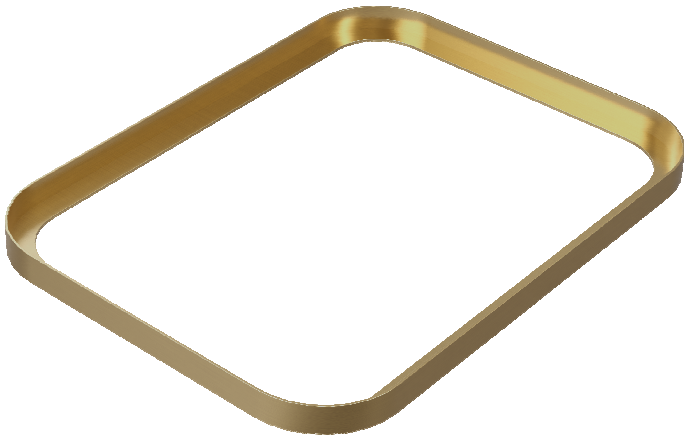


# Cava Basin Plinth



## Warranty:

All Abode products are made using the highest quality materials and components, to ensure that they meet or exceed all UK or European Standards. All products are thoroughly tested, and quality checked.

All products are backed with a comprehensive warranty and we are confident that they will give many years of trouble-free service.

The warranty applies to products used for normal domestic purposes and where the installation, care and maintenance instructions have been observed. The warranty extends to the original purchaser only. Details of Warranty duration and Terms & Conditions for each product type can be found on our website ([www.abodedesigns.co.uk](http://www.abodedesigns.co.uk))

## Important Care Instructions for your Product:

**To maintain the appearance of this product, ensure that it is regularly cleaned only using a clean, soft damp cloth. A solution of warm water and a mild liquid detergent may be used where necessary, and then the fitting rinsed thoroughly and wiped dry. Any other cleaning action or use of common domestic cleaning products will invalidate your warranty.**

If the product has a plastic aerator insert at the end of the spout it should be unscrewed and the plastic internal insert only removed and cleaned or descaled to maintain flow performance. Do not use descaling solution on any decorative metal housing, rinse the insert thoroughly before reattaching in the reverse order.

Abrasive cleaners, scouring cleaners and acidic cleaners **must not be used on this product** under any circumstances. Avoid contact with all solvents (including chlorinated solvents, ketones or acetones as these may result in surface deterioration or etching). Also avoid contact with any harsh household chemicals such as oven cleaners, drain cleaners, rust removers, paint strippers and toilet bowl cleaners, bar keepers friend or Brasso.

**Please leave these instructions for your customer.**

## Important Technical Data:

These installation guidelines have been prepared for your direction and you must exercise due care at all times. We do not accept responsibility for problems that may occur through improper installation. Whilst installing the product take care not to accidentally loosen any premade assembled assemblies or mark any decorative finishes.

**Manufacturers Product Reference:** ABX1140

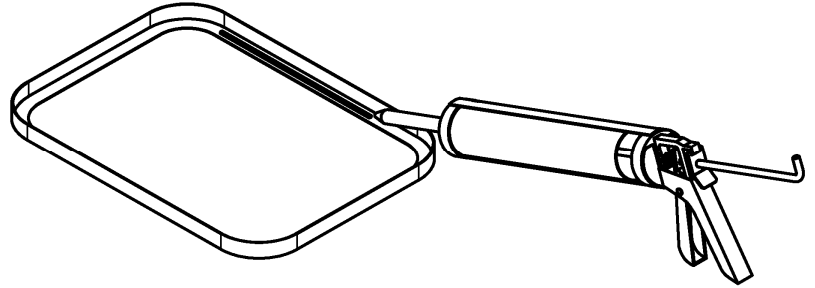
©Abode - 12/2023

## Installation Preparation:

**Before installing the new product please remove all packaging and inspect all parts are undamaged and present.**

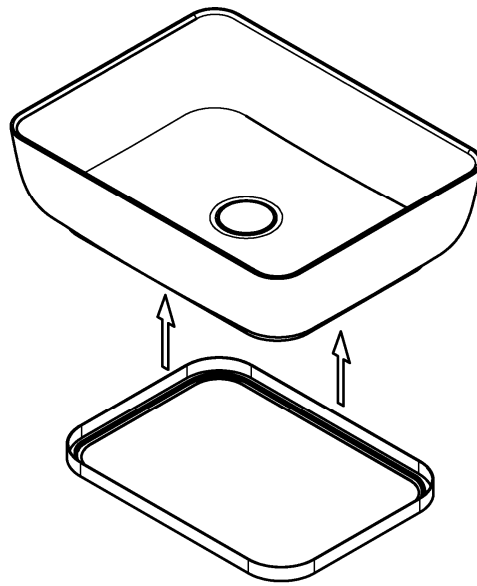
## Installation:

1. Clean and dry the surface of the basin plinth with soapy water and a clean cloth. When fully dry apply a generous continuous bead of silicone inside the plinth.



2. Turn the basin upside down and clean the basin lower rim free of any dust. Place the silicone basin plinth centrally over the rim of the basin, wipe away any excess silicone with a paper towel.

Allow the silicone to part dry before locating the basin to keep the plinth central to the basin.



## After Installation:

Clean and dry the product of any marks from installation then cover the product to protect it until it is ready to use. Refer to the basin fitting guide for further information.