

# IOX Countertop Basin



## Warranty

All Abode products are made using the highest quality materials and components, to ensure that they meet or exceed all UK or European Standards.

All products are thoroughly tested, and quality checked.


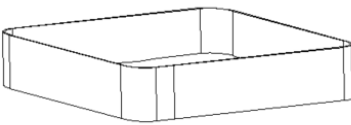
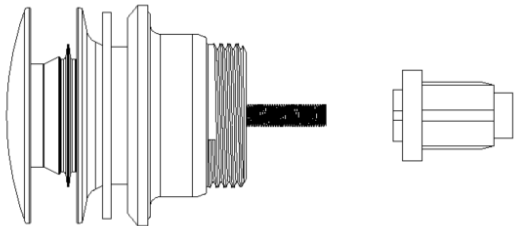
All products are backed with a comprehensive warranty and we are confident that they will give many years of trouble-free service.

The warranty applies to products used for normal domestic purposes and where the installation, care and maintenance instructions have been observed.

The warranty extends to the original purchaser only.

Details of Warranty duration and Terms & Conditions for each product type can be found on our website ([www.abodedesigns.co.uk](http://www.abodedesigns.co.uk))

## Parts and Contents

Key	Description	Qty	
A	Basin	1	 or 
B	Dual function waste assembly	1	

# Installation Instructions

## Preparation

1. Take great care when handling this basin. Whilst every effort has been taken to remove sharp edges, the material by nature may be sharp. We recommend wearing safety gloves. Do not lift the product by the waste hole.
2. Check the package for completeness and any transport damage before installation commences.
3. Check that the supporting carcasses, worktop, or vanity shelf is level, left to right and front to back. This will ensure the correct drainage of water.
4. Ensure you have clear access to all the services required, hot/cold water and waste.
5. Check that the surrounding furniture is the correct size and shape to accept this product and that no plumbing or wiring may foul the installation.
6. If replacing an existing basin, remove the old product and clean the surrounding area, ensure the new basin will suit the existing waste cut out, and tap reach.
7. Collect the tools you will need to complete this installation. Typically, this might include a spirit level, pencil, straight edge, drill, Ø65 hole saw, silicone gun and small adjustable spanner.

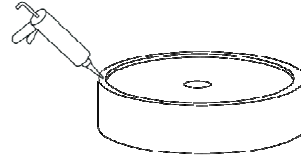
## Installation

1. Before creating the waste cut out in the worktop or shelf, carefully plan the positioning of the basin. Ensure that the position of the bowl and tap will not interfere with surrounding units or appliances.
2. Typically, these types of basins are fixed into position with silicone, if a stronger fixing is required the basin does come complete with four built-in M6 fixing points on the reverse side. (The M6 bolts are not supplied, if you do require this method of fixing, please ensure any bolts used are made from 304 stainless steel)
3. Position the basin and mark the hole centre for the waste. (And M6 basin fixings if required).  
**IMPORTANT** – Before you drill anything check the underside of the shelf, vanity top, or cupboard to ensure the hole you intend to drill does foul on any fixings, draws or pipes.
4. Using a hole saw that is suitable for drilling the countertop material and with a minimum diameter of 65mm, drill out the waste hole.
5. Drill out the tap hole to the required specification.
6. If required fully seal the any cut edges of the countertop with a waterproof sealant to prevent any possible water ingress into water permeable substances. (MDF, wood, etc...)
7. Install the tap according to the manufacturer's instructions, again sealing the tap hole if required.
8. Install basin waste kit following the instructions below.

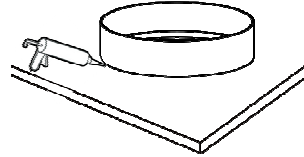
**IMPORTANT** – The IOX basin does not have an integral overflow, it is supplied with a standardised dual-purpose waste kit, the configurations are either 'click-clack closeable' (1) or 'free flowing' (2). As this basin has no overflow you must install the waste in free-flow mode (using part 2).

1	<b>Click clack closable</b> decorative cover mount.		
2	<b>Free flow</b> decorative cover mount.		
3	Decorative cover		
4	M6 x 80mm CSK screw		
5	Upper Waste body		
6	Foam washer		
7	Rubber washer		
8	Lower Waste body		

1. Assemble the waste onto the basin to your required configuration, as detailed above.
2. Connect the tap hot and cold water.
3. Apply sanitary grade sealant to the underside of the basin taking care not to fill the M6 fixing holes.



4. Position the basin where required.
5. Fix the M6 bolt (if you have chosen this method)
6. Seal around the perimeter as detailed overleaf – check to make sure you have clear access to make the waste connections.



7. Leave to dry then make the waste connections.

### After installation

1. Clean the basin using the attached care advice ready for use.
2. Check the basin is flat to the worktop, straight and level; pour a small amount of water into the basin to check for drainage and leaks around the waste, water trap and new pipe work.
3. If the basin is not to be used for a period after installation, cover the sink and tap to protect them from accidental damage during further surrounding installation work.

### Care Instructions for your Basin

**Your new basin has a decorative durable surface, you must never use scorers or abrasive cleaning compounds on the decorative surface.**

**To maintain the appearance of this product, ensure that it is only regularly cleaned using a clean, soft damp cloth. A solution of warm water and a mild liquid detergent may be used where necessary, and then the product rinsed thoroughly and wiped dry. Any other cleaning action will invalidate your warranty.**

For further care and maintenance advice on removing stubborn marks and more examples of objects or actions likely to artificially shorten the life of this product, please visit our website but in particular follow the key points below:

1. To prevent damage no household, industrial or cosmetic chemicals should come into contact with this product.
2. Metallic objects (including steel scourer's) and ceramic objects should never come into contact with the basin surface as they may damage the decorative surface and cause cross contamination corrosion.
3. Prolonged exposure to acidic or alkaline compounds must be avoided.

## Important Technical Data

Whilst every effort has been made to make these instructions comprehensive, they may not be exhaustive, and we strongly recommend that this product is installed by a skilled professional, this will ensure the best possible finished installation.

This product is made from 304 grade stainless steel for the greatest possible durability, after the end of the lifecycle of this product it should be recycled responsibly.

Earth bonding: Under current IEE regulations - there is no statutory requirement to earth bond basin's although it is good practice, please ensure that any ground has continuity to earth and is not insulated by plastic pipe. Most new wiring installations are protected with an RCD. If you are unsure whether your wiring is protected by an RCD, contact a qualified electrician.

All Abode products are designed in accordance with recognised European or global standards. Please ensure that your Abode product is fitted in accordance with localised legislation.

The installation should be periodically checked for damage to water sealing parts as described in the instructions to avoid accidental water damage.

Abode is a registered trademark of Abode. All errors and omissions excepted.

A full technical specification and copies of these instructions are available for this product on our website. [www.abodedesigns.co.uk](http://www.abodedesigns.co.uk)

## Manufacturers Product Reference

	<b>EN14688:2015 (23) PH</b>
Norcros Group (Holdings) Ltd T/A Abode Ladyfield House, SK9 1BU	CL(00) OF:N/A CA:PASS LR:N/A DA:NPD EU: MIL, Unit 8 Purcellsinch Ind Est, Dublin Road, Kilkenny, R95 HP71, Ireland. euinfo@abode.eu Adode basin DOP
<a href="http://www.abodedesigns.co.uk">www.abodedesigns.co.uk</a>	

©Abode  
ABX1003 v1 - 11/2023

# abode

Unit L, Zenith Park, Whaley Road, Barnsley, S75 1HT.  
Tel: 01226 283434 Fax: 01226 282434

[www.abodedesigns.co.uk](http://www.abodedesigns.co.uk)

All errors and omissions excepted.

**Please retain these instructions with the sink for future reference**