

abode

Tableau



Warranty

All Abode products are made using the highest quality materials and components, to ensure that they meet or exceed all UK or European Standards.

All products are thoroughly tested, and quality checked.

All products are backed with a comprehensive warranty, and we are confident that they will give many years of trouble-free service.

The warranty applies to products used for normal domestic purposes and where the installation, care and maintenance instructions have been observed.

The warranty extends to the original purchaser only.

Details of Warranty duration and Terms & Conditions for each product type can be found on our website (www.abodedesigns.co.uk)

Contents

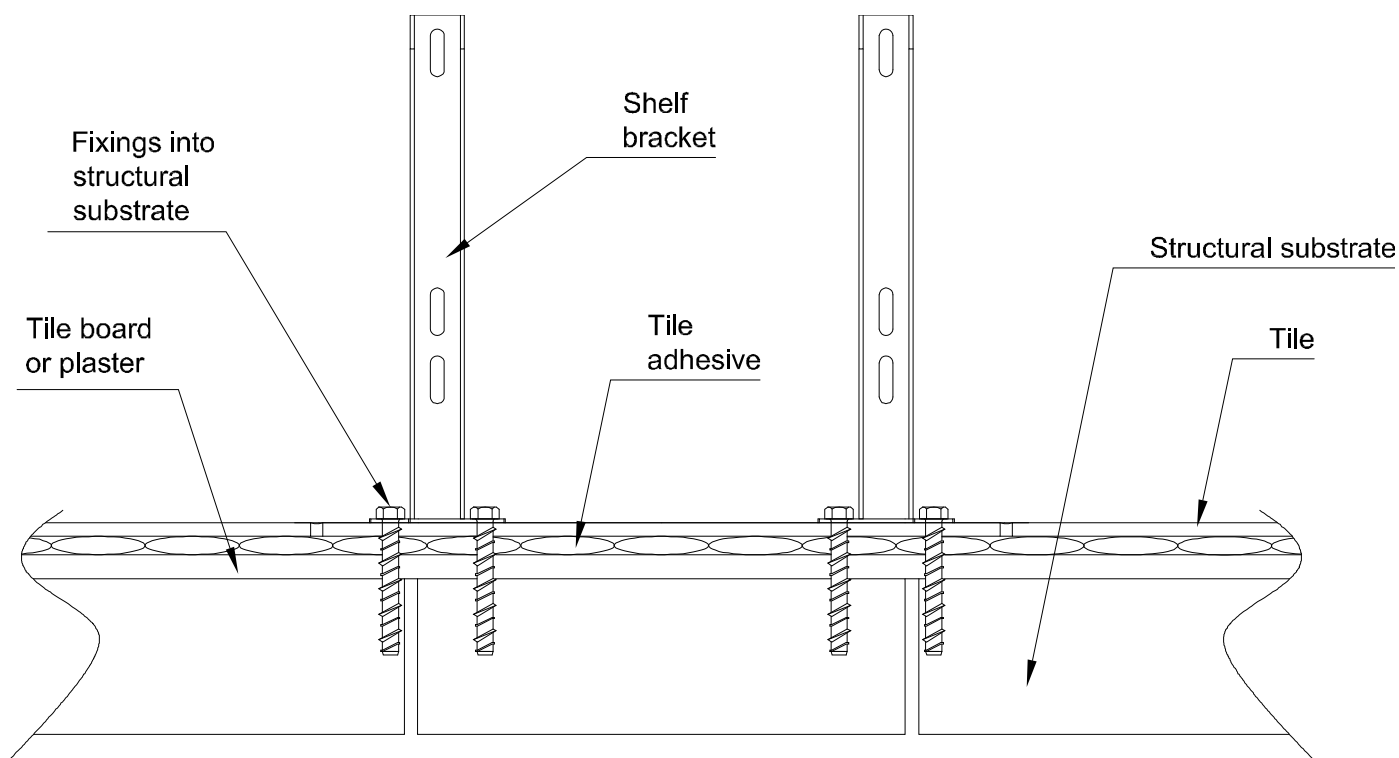
Key	Description	Qty
A	Shelf	1
B	M8 Nut	8
C	Ø8mm ID washer	8
D	M8 X 20mm 'T' bolt	8
E	Right hand bracket. (Supplied separately)	1
F	Left hand bracket. (Supplied separately)	1
G	Towel rail (optional)	0

Please note wall fixings for items 'E' & 'F' are not supplied, see section '[Guidance on wall fixing.](#)'

Installation instructions – Wall brackets

1. Take great care when handling this shelf. Whilst every effort has been taken to remove sharp edges, the material by nature may be sharp. We recommend wearing safety gloves.
2. Check the package for completeness and any transport damage before installation commences. Installation of the shelf is acceptance of quality.
3. Check the mounting wall is vertically level. (This will ensure the correct drainage of water if the shelf is to be used to hold a basin.) If the wall is not level, then you may need to shim the mounting brackets to ensure they are level during the installation process.
4. This shelf needs to be anchored securely to a structural substrate, brick / breeze wall, or the timber inside a stud wall, using appropriate fixings.
5. The shelf is not supplied with wall fixings. It is the installers responsibility to ensure the brackets are full supported and anchored safely.

Overhead view of shelf brackets fixed to a wall with a tiled surface, note the anchors fixed to the substrate.



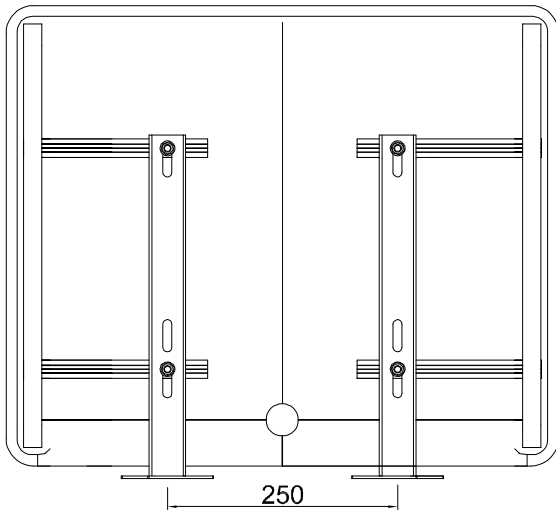
Guidance on wall fixings

Each installation will be different therefore wall fixings need to be...

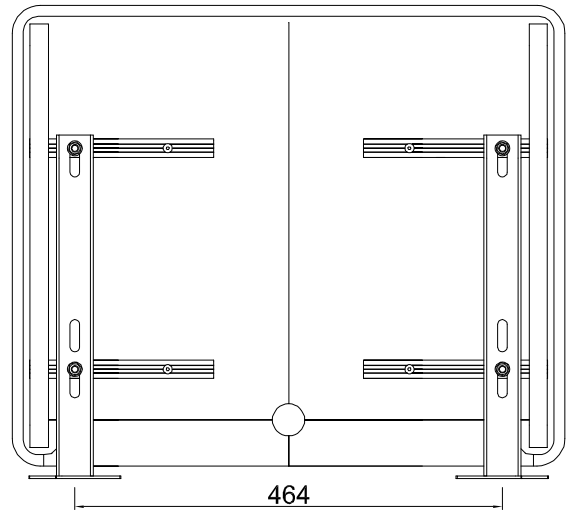
- Made of a corrosion resistant, high tensile material, like stainless steel capable of supporting 150kg load.
- Have a diameter of maximum 8mm.
- Be long enough to penetrate securely into structural substrate.
- Have a washer with an outer diameter of 14mm and inner diameter suitable for the accompanying bolt.
- If in any doubt seek advice from a qualified professional

6. The shelf has lateral adjustment in its fixing points. The brackets should ideally be set at no less than 250mm taken at the centre of each bracket, the maximum adjustment is 464mm.

Minimum bracket adjustment

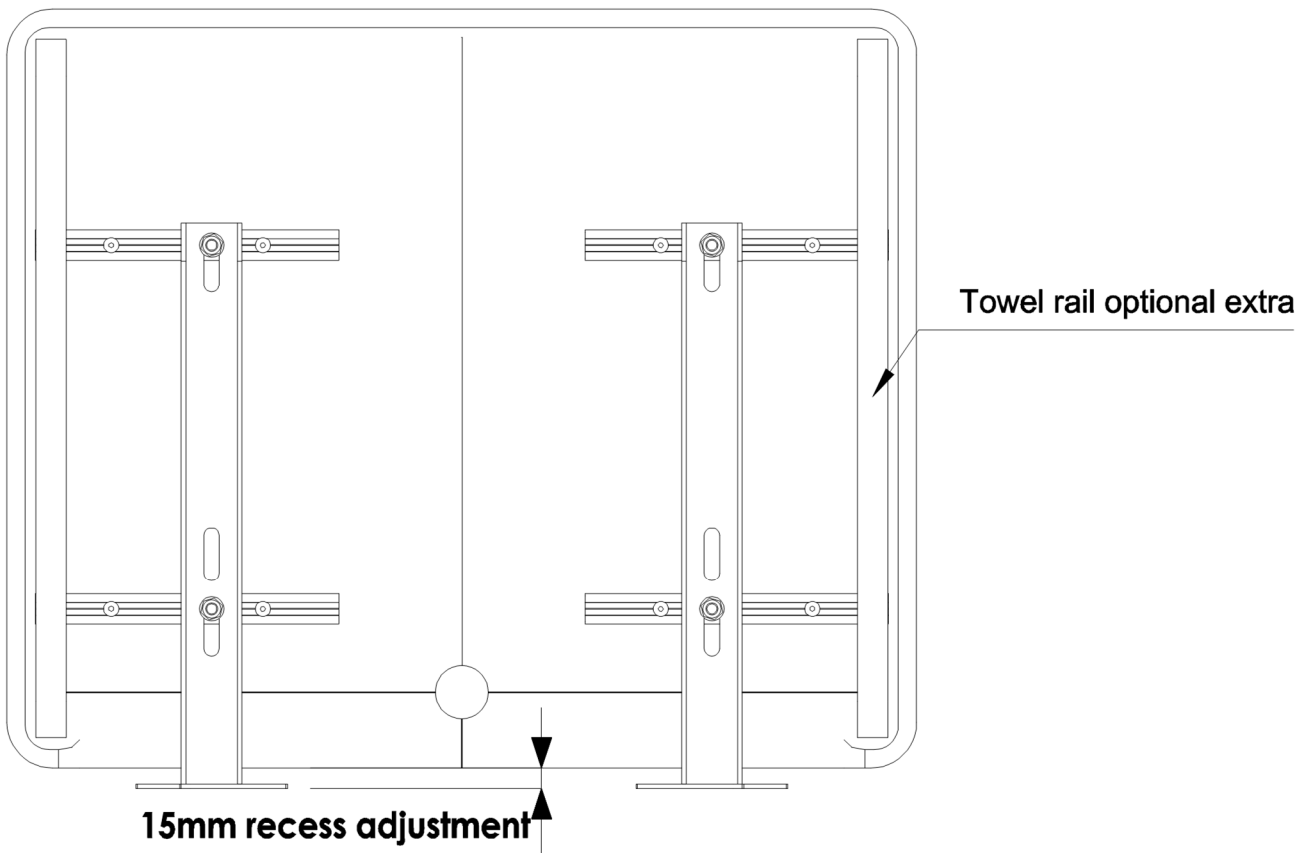


Maximum bracket adjustment



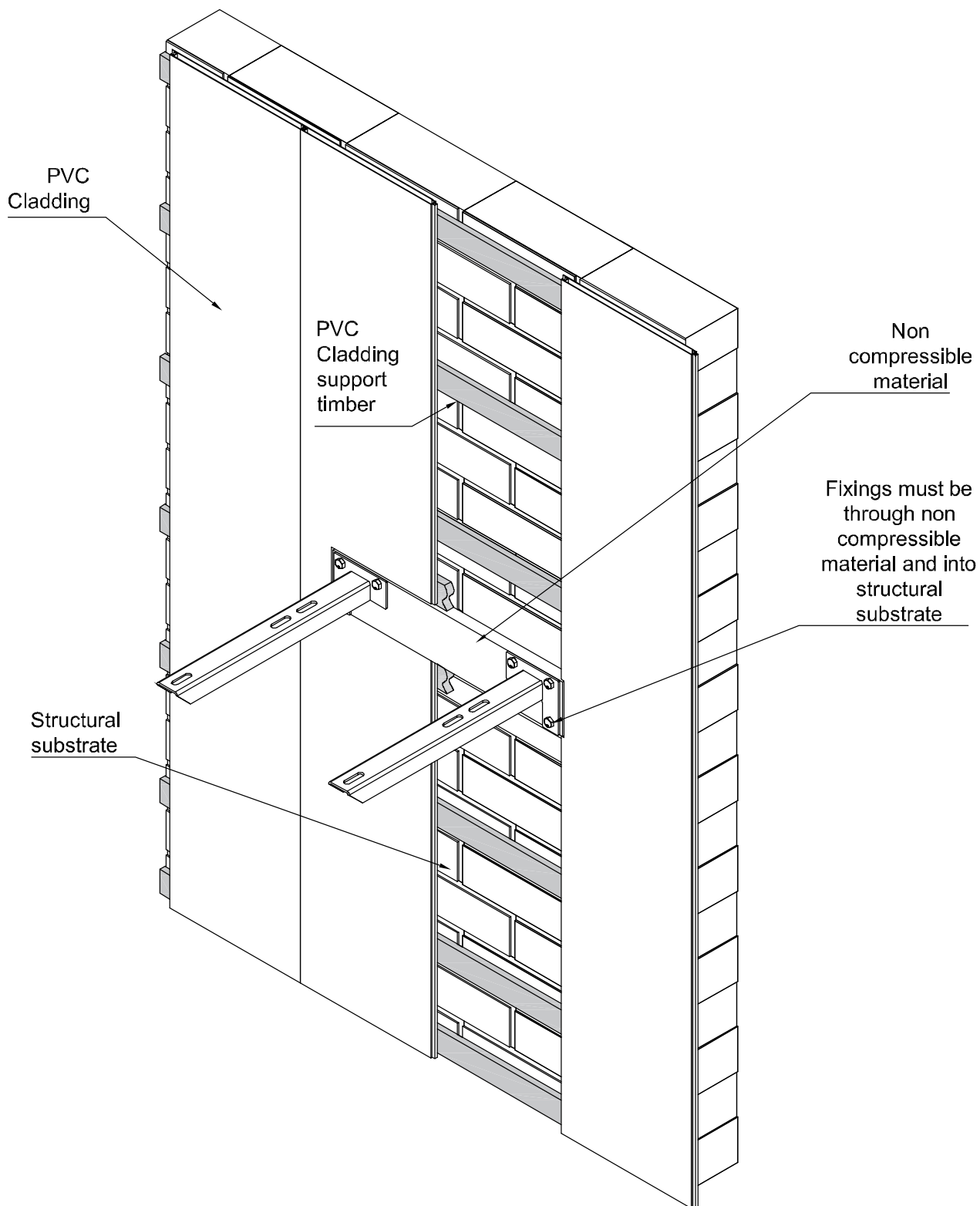
7. There is a 0-15mm adjustment if the brackets do need recessing to contact any structural substrate, if you need more than 15mm then you will need to bring the structural substrate forward with rigid cement board or similar that will not compress under load.

View from underside of the shelf with brackets and optional towel rail



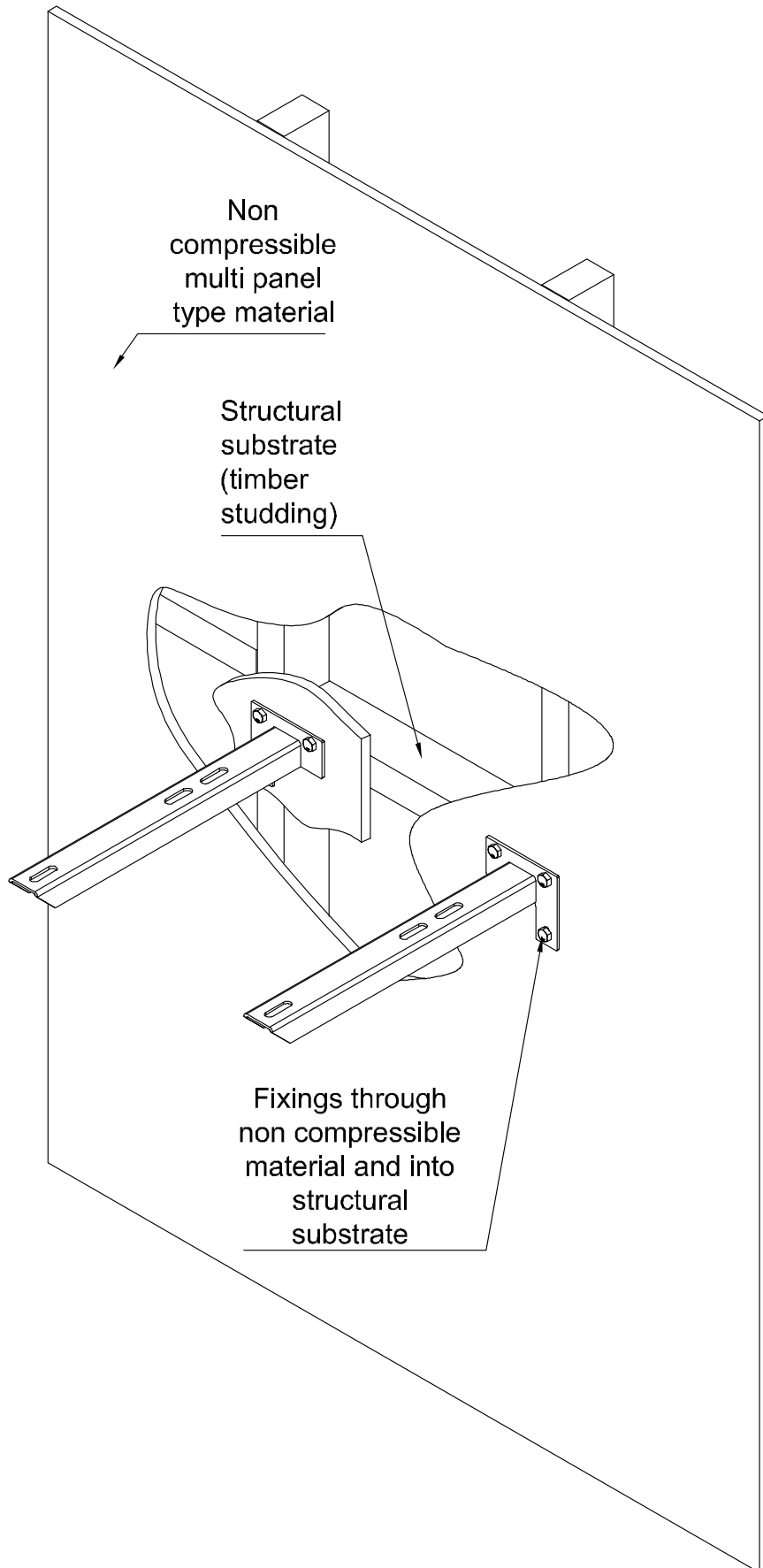
8. If the final surface finish of your bathroom is soft and can easily be damaged then the mounting brackets should ideally be anchored directly to a structural substrate, wall, plaster, or timber inside a stud wall. Do not surface mount the brackets on top of PVC cladding or similar soft material.

PVC Cladding bracket mounting



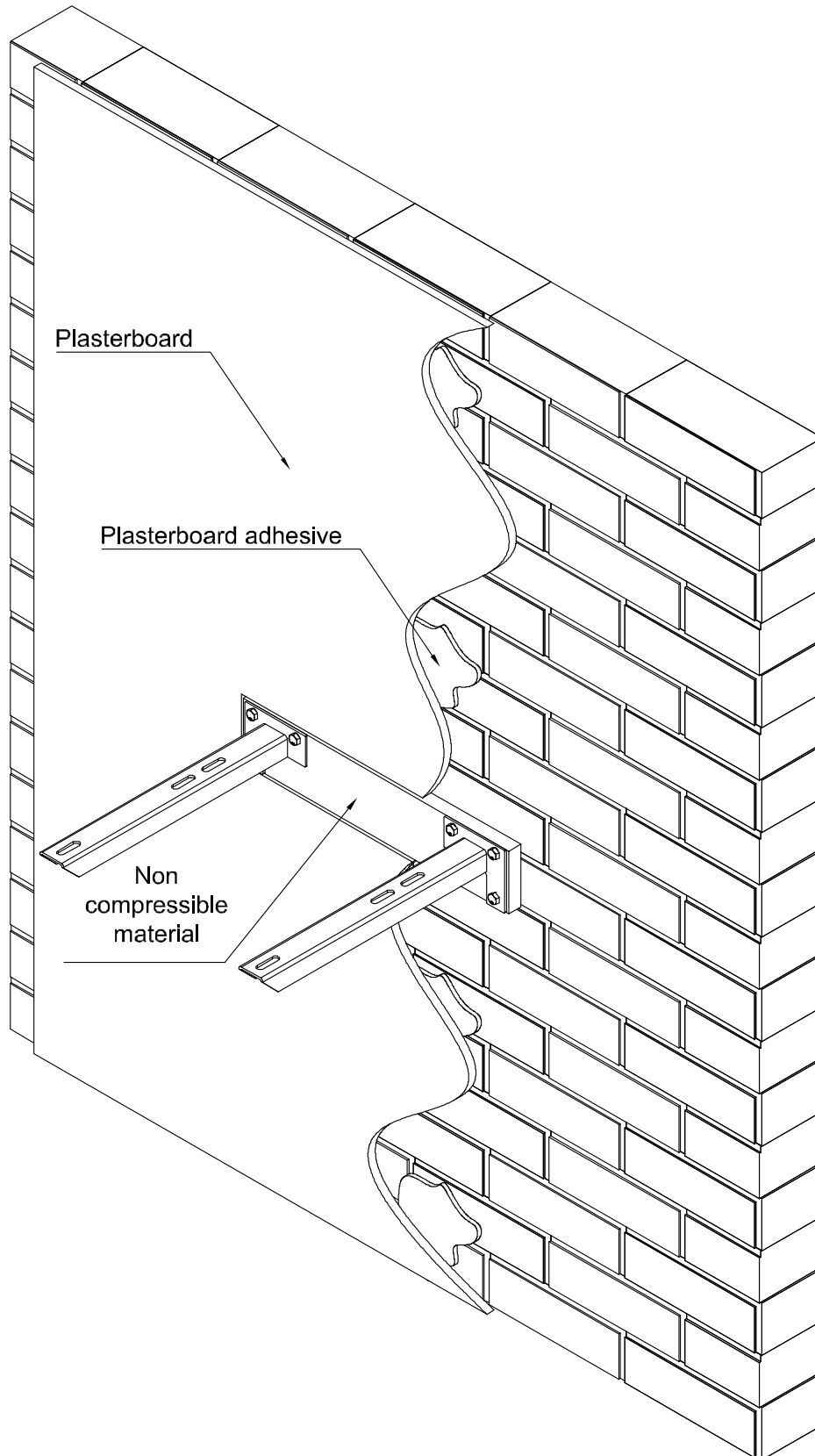
9. When mounting the brackets to a stud wall with a non-compressible multi-board or similar then ensure that each bracket is mounted to a vertical and horizontal structural timber.

Non compressible multi-panel bracket mounting

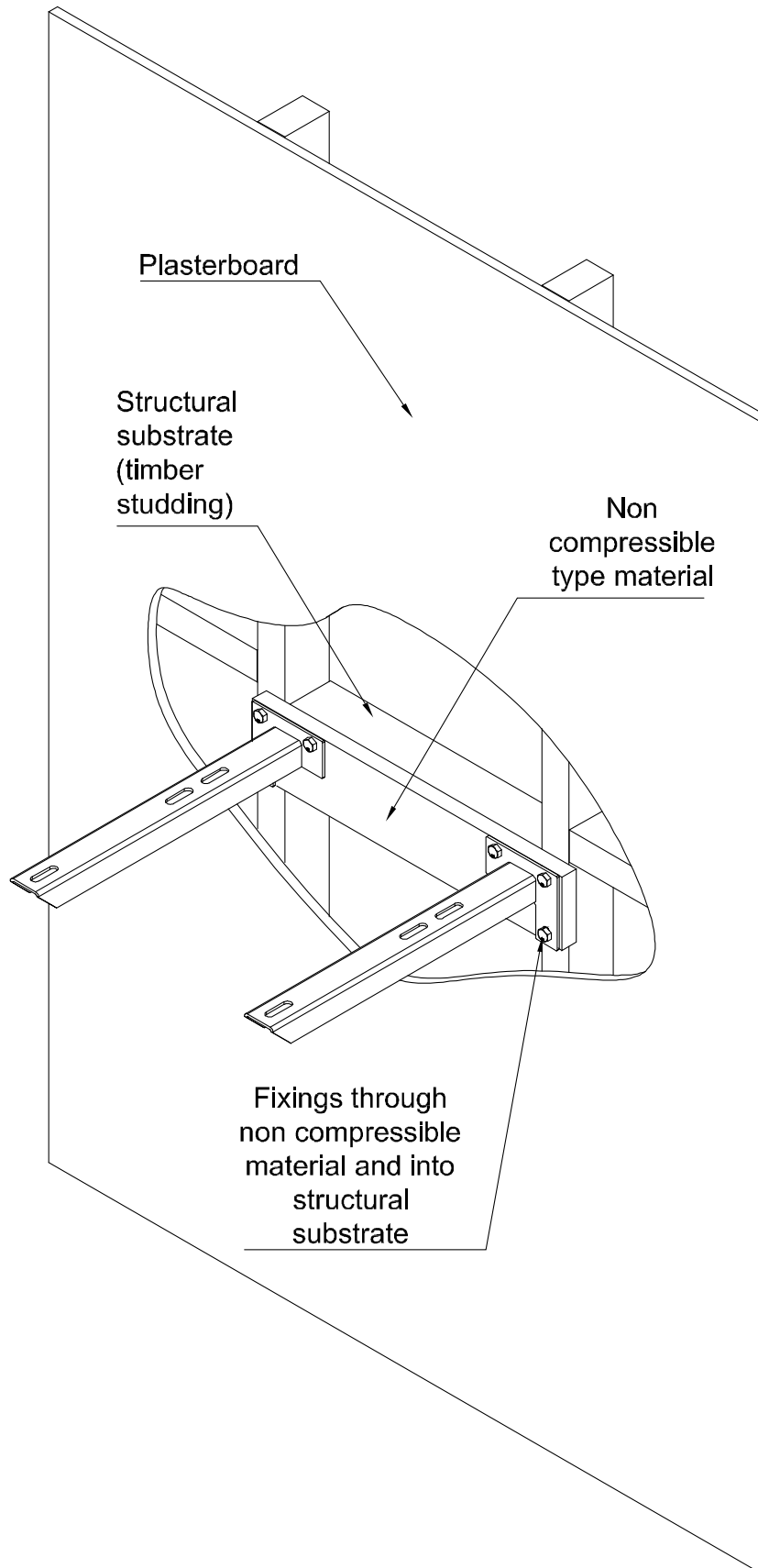


10. Combinations of the two aforementioned installations can be done so long as the brackets are fully supported and anchored to a non-compressible material.

Dot and dab plaster board bracket mounting

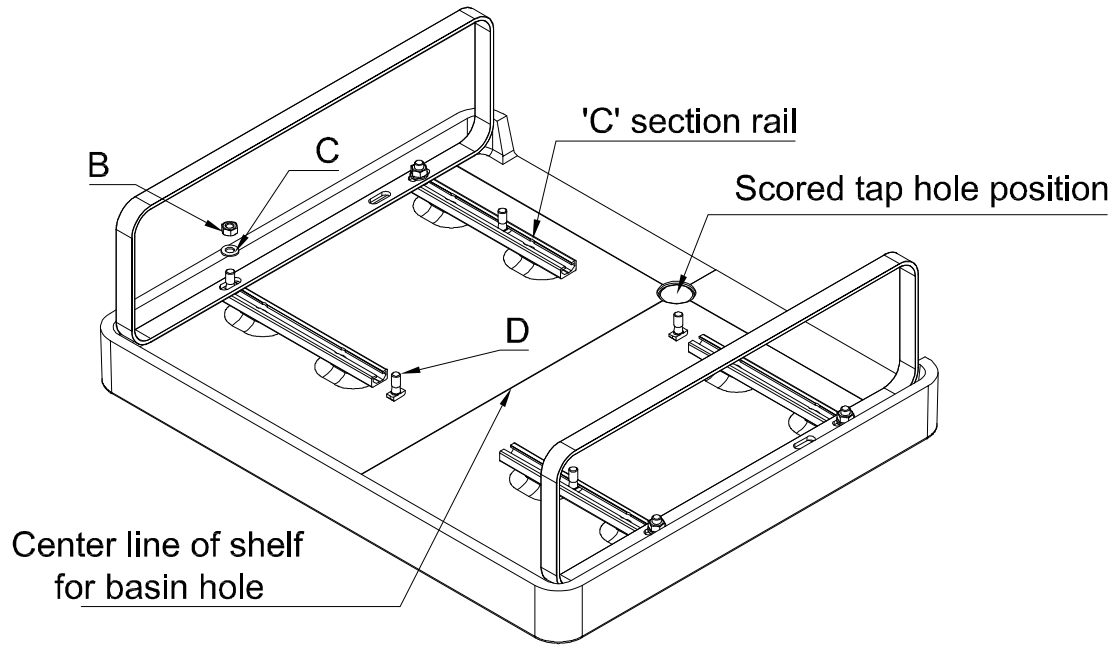


Plaster board to stud wall bracket mounting.

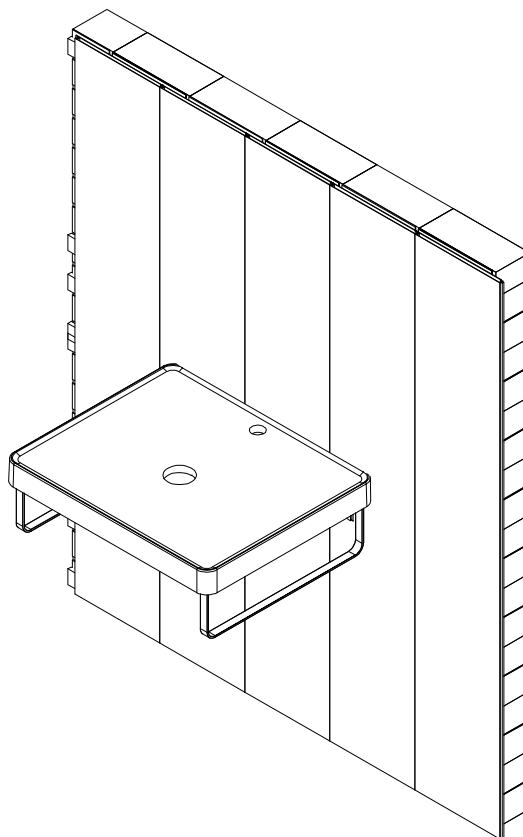


11. Once the brackets are adequately level and secured to the wall, unpack the shelf(A), turn it upside down on to a soft surface.

12. A suggested tap hole position is scored on the underside of the shelf. Check the positioning of your basin and tap, and mark as required, be mindful about the spout reach of your chosen tap to ensure it adequately overhangs the basin.
13. Drill the required diameter holes as recommended by your tap and basin supplier using a diamond hole saw.
14. Position the eight 'T' bolts (D) by sliding them into the 'C' section fixing rail, fix the towel rails (G) using 4 x M8 nuts (B) and washers (C).



15. Using the remaining 'T' bolts (D) and 4 x M8 nuts (B) and washers (C) fix the shelf into position, refer to basin and tap instructions to proceed with installation.



Cleaning and Maintenance guidelines

1. Metallic objects (including steel scorer's) and ceramic objects should never come into contact with the basin as they may damage the decorative surface.
2. Clean your shelf regularly with a damp cloth and mild detergent.
3. Hair dye and some cosmetics such as mascara, lipstick may cause slight discoloration and must be cleaned up immediately.
4. Do not allow any solvents to come into contact with this product.
5. Remove any limescale with a domestic spray limescale remover.
6. For any other cleaning advice please visit our website www.abode.co.uk

Important Technical Data

Whilst every effort has been made to make these instructions comprehensive, they may not be exhaustive, and we strongly recommend that this product is installed by a skilled professional, this will ensure the best possible finished installation.

All Abode products are designed in accordance with recognised European or global standards. Please ensure that your Abode product is fitted in accordance with localised legislation.

Abode is a registered trademark of Abode. All errors and omissions excepted.

A full technical specification and copies of these instructions are available for this product on our website.

www.abodedesigns.co.uk

Manufacturers Product Reference

ABS1001 - ABS1002 - ABS1003 - ABS1004 -

©Abode

ABX1005 v1 - 03/2024

abode

Unit L, Zenith Park, Whaley Road, Barnsley, S75 1HT.

Tel: 01226 283434 Fax: 01226 282434

www.abodedesigns.co.uk

All errors and omissions excepted.

Please retain these instructions with the basin for future reference