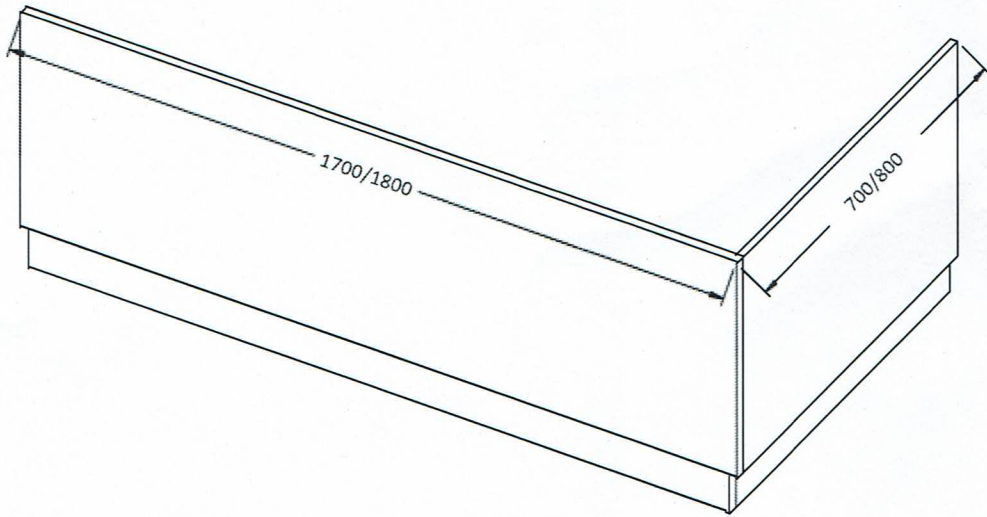
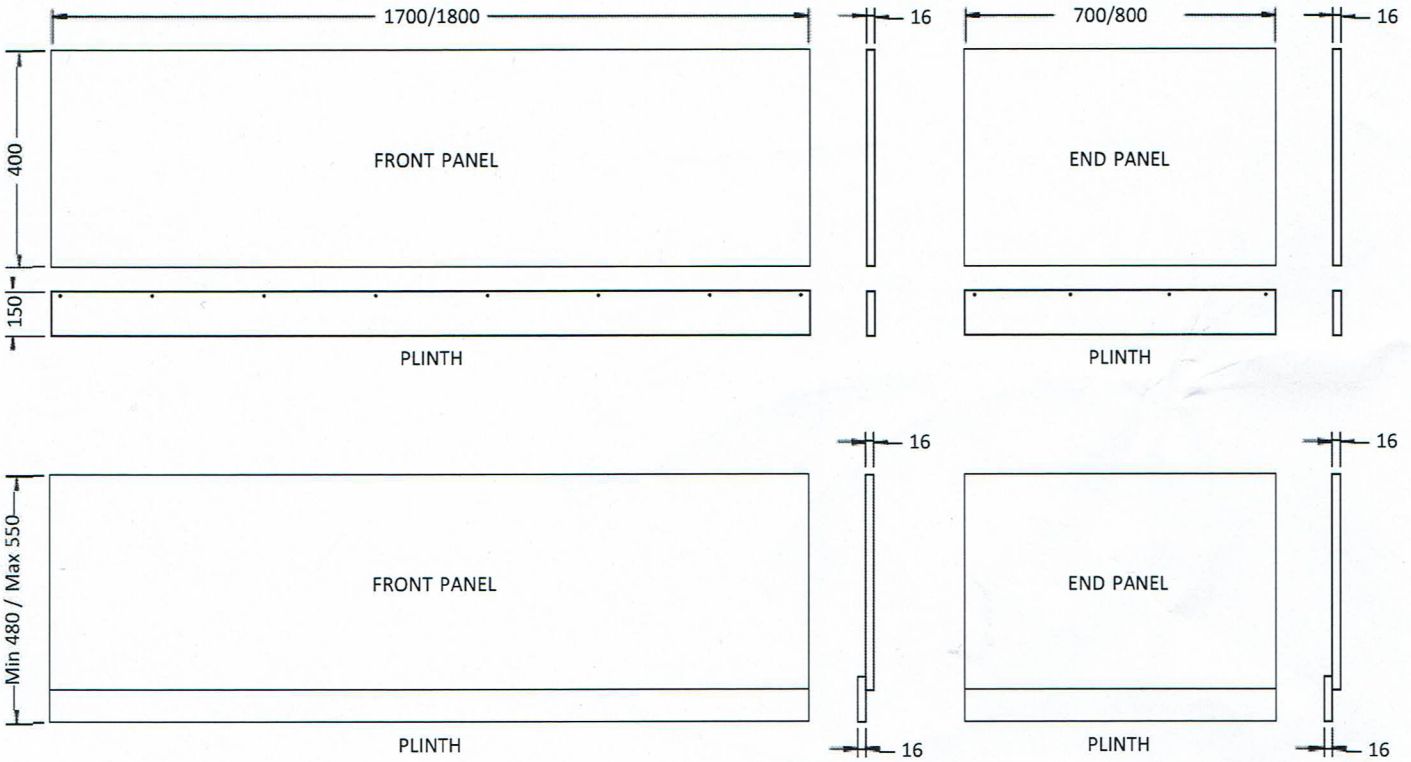


STANDARD BATH PANEL FITTING INSTRUCTION



Instructions

- Step 1: Bath panel height. From under the bath rim, measure down to the floor of the bath. This is the height of the bath panel you will need.
- Step 2: Bath panel support. We strongly advise that a frame is built or battens are placed along the floor and up the walls to support the bath panel.
- Step 3: Plinth adjustment. Drill equally spaced holes along the plinth and screw to the bottom of the front panel at the desired height.
- Step 4: End Panels adjustment. It is necessary to make adjustment to the plinths so that the front and end panels are together for better finish.
- Step 5: Corner Adjustments. Where the panels meet at the wall, ensure that the finished edge is aligned at the visible corner.
- Step 6: Securing Panels, The panels are fastened together using screws and corner brackets provided once the adjustment have been made.

Care Guide

It is strongly recommended that a qualified installer/joiner is entrusted to the fitting of these panels. Heavy impacts and mistreating the panels will cause damage. Do not use abrasive cleaners/scouring pads as they will damage the surface.